



Let YOUR
CREATIVITY
OUT

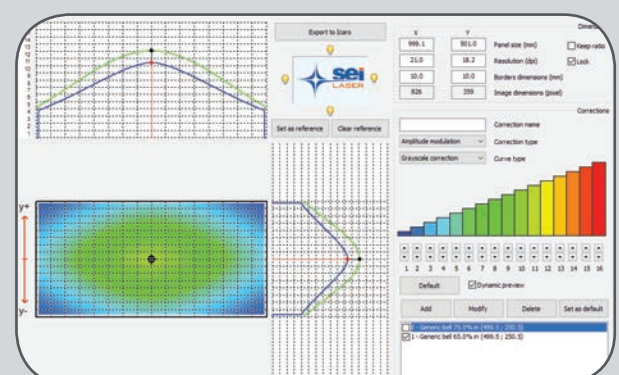
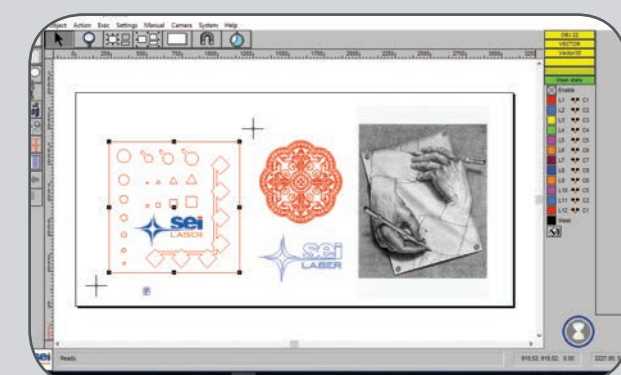
ICARO SOFTWARE

Our proprietary Icaro software is very intuitive and user-friendly. The easy import of the files, both raster graphics and vectorial images (BMP, JPEG, PDF, EPS, DXF, PLT,..) and the easy setting of the laser parameters make Icaro the innovative multifunction software interface made 100% SEI Laser.

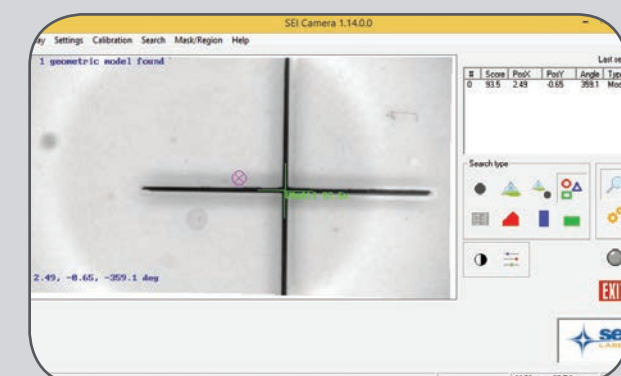
- CCD camera for registry laser processing and for the automatic upload of the files thanks to single/multi printing markers and 2D/3D barcode readers, RGB radial/rectangular lighting circuit
- BLU software for LED LGP backlighting: specifically developed for PMMA sheets cutting and marking
- Thanks to the integration with customized Post Processors, Icaro allows a simple, fast, intuitive job design and automatic laser system programming for thin ferrous and not ferrous metal cutting.
- Effective system and laser diagnostics: easy remote assistance operations

Every SEI Laser system can be integrated into automated digital control production processes and it is in compliance with the Industry 4.0 certification.

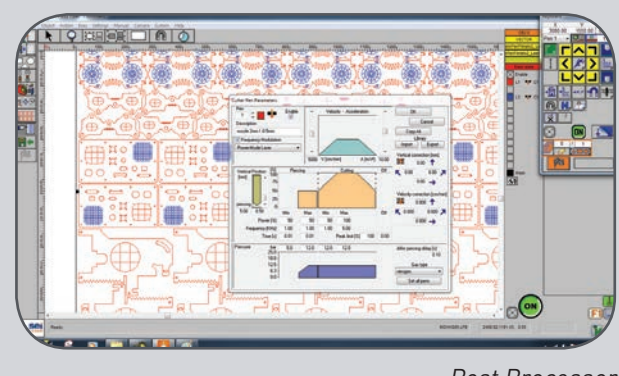
Icaro Software



Icaro Blu



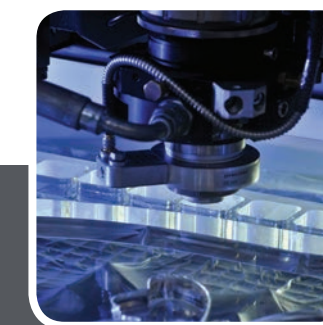
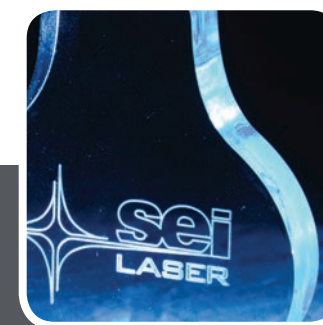
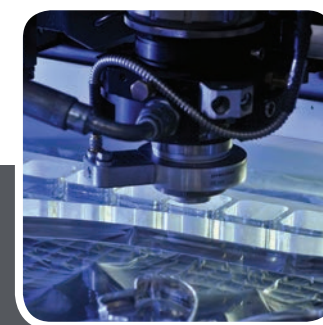
Icaro CCD Camera



Post Processor

HIGH PRODUCTIVITY FOR MASS PRODUCTION

MERCURY LINE



SEI S.p.A.
Via R. Ruffilli, 1
24035 Curno (BG) - Italy
T. +39 035 4376016
F. +39 035 463843
info@seilaser.com
www.seilaser.com

SEI Laser Converting Via
Praz dai Trois, 16 33030 Buja
(UD) - Italy
T. +39 0432 1715827
F. +39 0432 1715828
info@seiconverting.it
www.seilaser.com

**SEI Laser Systems
(Hangzhou) Co. Ltd.**
Hangzhou Hi-Tech Park,
Bin Jiang District, Bin An Road
#1193, Post Code 310052
Hangzhou - China
T. +86 571 8777 4111
F. +86 571 8777 444

TÜRKİYE
A VE A ENDUSTRIYEL TEKNOLOJİ URUNLERİ MAKİNE SAN. VE TİC. A.Ş.
www.AAETUM.com

THE "TOP OF THE RANGE" PROFESSIONAL LASER SYSTEM FOR CO₂ LASER CUTTING AND MARKING.

MERCURY LINE

SEI Laser, the leading Italian manufacturer of industrial laser systems, introduces Mercury Line, the innovative and flexible ranges of laser systems specifically designed to meet all customers' needs thanks to the different configurations developed to process materials with a working area up to 2060x3080 mm (up to 2000x4000mm working area available on request).

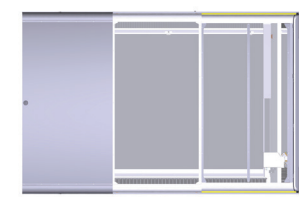
Processes: cutting, marking, engraving, dot etching
Processable materials: acrylic (PMMA), ABS, plastic, paper, cardboard, leather, textiles, glass, marble, wood, acetates, adhesive foils, composite materials, iron, steel
Markets: small items and furnishing accessories (customization), decoration and marquetry, stamps, display cases, footwear, leather, automotive, electronic, lighting, signage, jewellery, packaging, fashion (garments), jobshop, eyeglasses, banner&flags

- User friendly
- high accuracy and repeatability of the cutting edge combined with industry-leading performances thanks to the linear motors and to the control algorithms developed in SEI Laser
- zero maintenance outstanding mechanical durability and long life of the laser source
- versatility thanks to its compact dimensions and the easy access to the three-sided working area
- flexibility due to the different configurations that make the system suitable for each environment and production site: fixed work table, fixed table extension, dual tables for loading/unloading, with the drawers or with conveyor for textile roll processing
- the strong mechanical structure combined with X-Y axis movement, thanks to high performing linear motors, in addition to the position controlled by linear optic encoders, ensure high and unique performances in 24/7 mass production as well
- Class 1 or Class 4 for the safety of the operator and work environment
- It can be perfectly integrated into any production environment
- 100% SEI Laser design and manufacture: guaranty of stability and repeatability
- Industry 4.0 ready

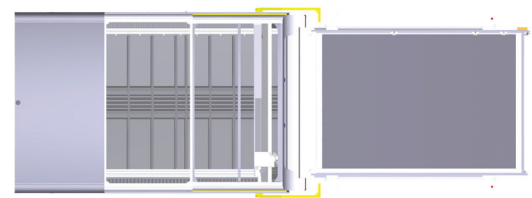
Thanks to the exclusive "metal" kit, Mercury combines the possibility of cutting iron and steel with non-metallic materials with the highest quality.

AVAILABLE OPTIONS TO INCREASE THE FLEXIBILITY

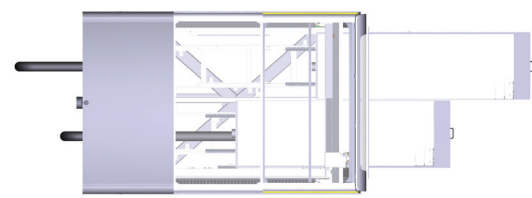
- 3D kit for cutting and kiss cutting of 3D surface materials (compatibility *.dxf 3D)
- Metal cutting with high gas pressure head, capacitive sensor
- Safety optic barriers or laser scanner for class 4 systems
- Rotary attachment (max. diameter: 120 mm)



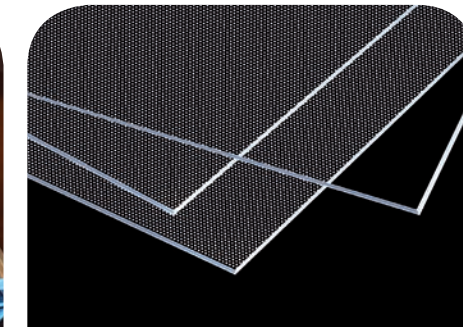
Fixed work table



Dual tables

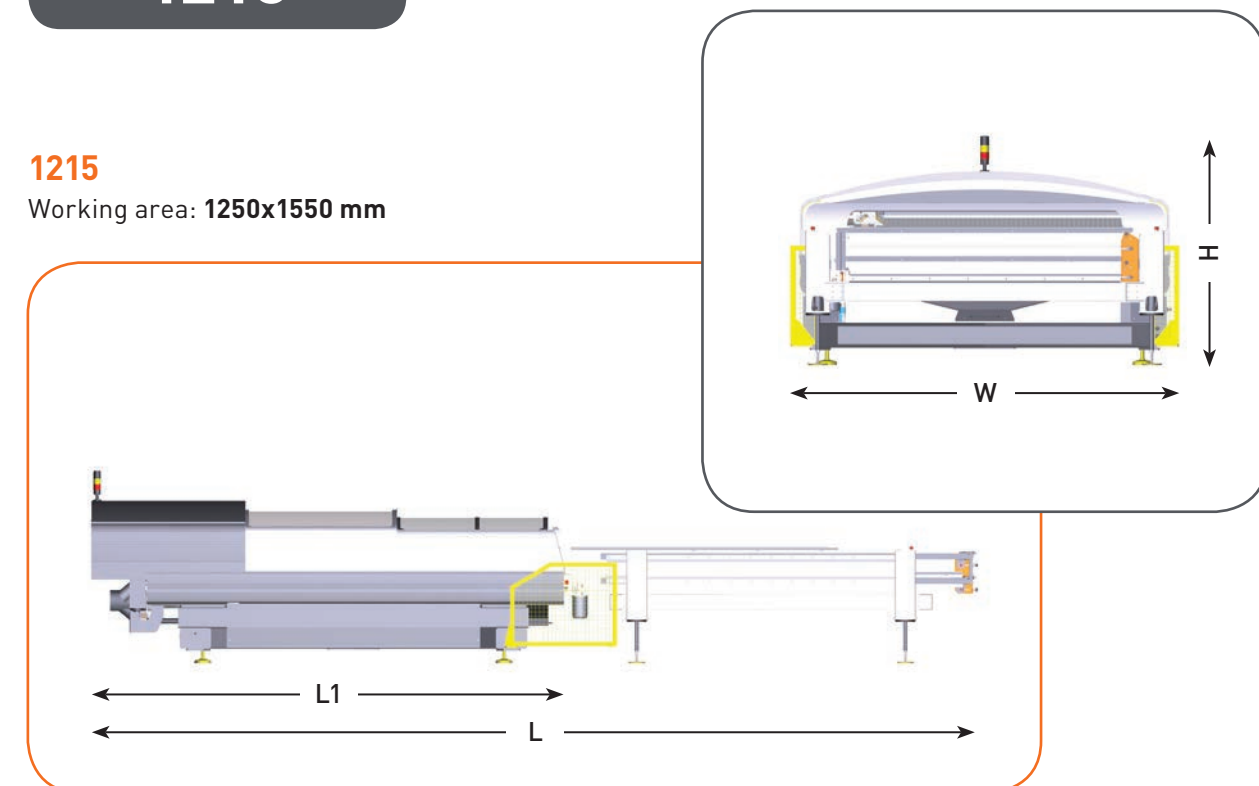


With the drawers



1215

1215
Working area: 1250x1550 mm

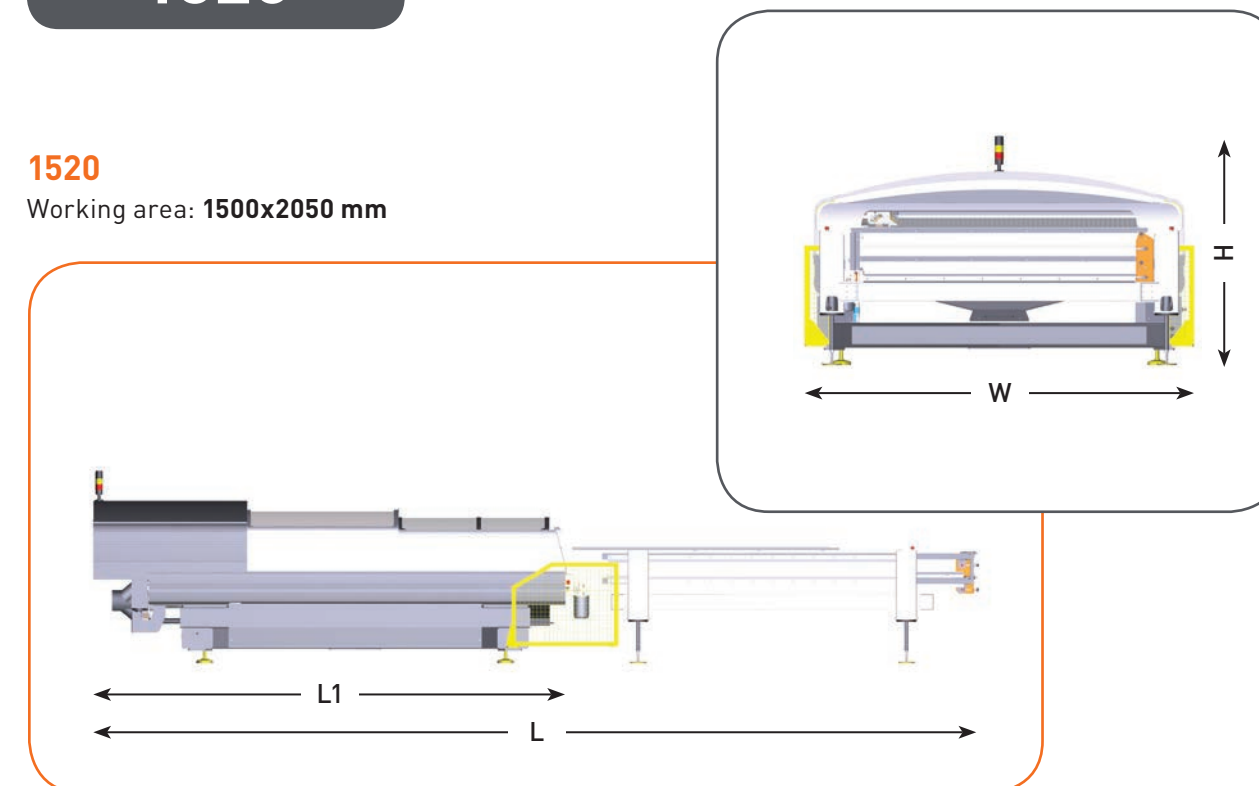


Version	V150	V250	V300	V350	V500	V800	V1200
Laser power (W)	150	250	300	350	500	n/a	n/a
L1 (mm)	2525	2525	2525	2525	2525	2525	2525
L (mm)	4995	4995	4995	4995	4995	4995	4995
W (mm)	2140	2140	2140	2140	2140	2140	2140
H (mm)	1490	1490	1490	1490	1490	1490	1490
Working area (mm)	1250x1550						
Max. material thickness (mm)	50						
Max. payload (Kg/mq)	40						
Z-axis stroke	0-70						
Accuracy (mm/m)	< 0,1						
Repeatability (mm)	0,01						

L1 refers to fixed work table configuration - L refers to dual tables configuration

1520

1520
Working area: 1500x2050 mm

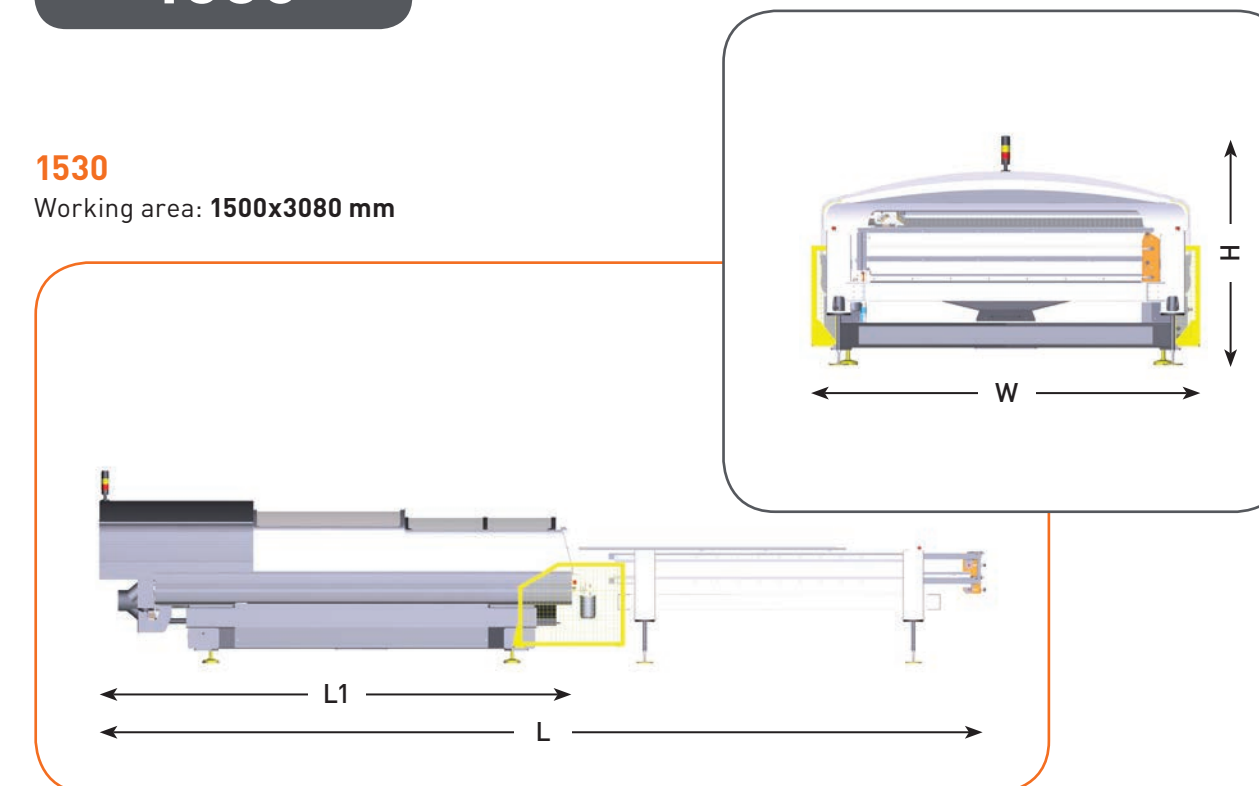


Version	V150	V250	V300	V350	V500	V800	V1200
Laser power (W)	150	250	300	350	500	800	1200
L1 (mm)	3100	3100	3100	3100	3100	3100	3100
L (mm)	5956	5956	5956	5956	5956	5956	5956
W (mm)	2390	2390	2390	2390	2390	2390	2390
H (mm)	1490	1490	1490	1490	1490	1490	1490
Working area (mm)	1500x2050						
Max. material thickness (mm)	50						
Max. payload (Kg/mq)	40						
Z-axis stroke	0-70						
Accuracy (mm/m)	< 0,1						
Repeatability (mm)	0,01						

L1 refers to fixed work table configuration - L refers to dual tables configuration

1530

1530
Working area: 1500x3080 mm

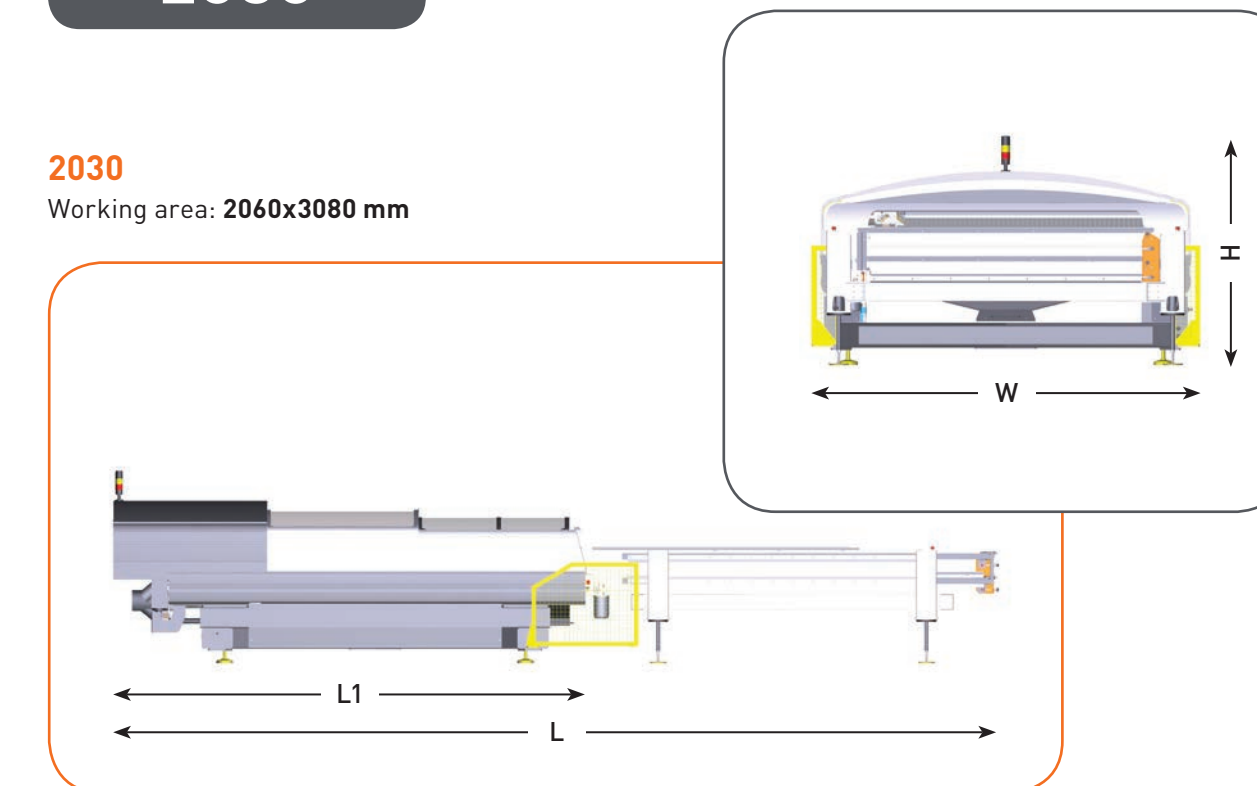


Version	V150	V250	V300	V350	V500	V800	V1200
Laser power (W)	150	250	300	350	500	800	1200
L1 (mm)	4576	4576	4576	4576	4576	4576	4576
L (mm)	8546	8546	8546	8546	8546	8546	8546
W (mm)	2390	2390	2390	2390	2390	2390	2390
H (mm)	1490	1490	1490	1490	1490	1490	1490
Working area (mm)	1500x3080						
Max. material thickness (mm)	50						
Max. payload (Kg/mq)	40						
Z-axis stroke	0-70						
Accuracy (mm/m)	< 0,1						
Repeatability (mm)	0,01						

L1 refers to fixed work table configuration - L refers to dual tables configuration

2030

2030
Working area: 2060x3080 mm



Version	V150	V250	V300	V350	V500	V800	V1200
Laser power (W)	150	250	300	350	500	800	1200
L1 (mm)	4659	4659	4659	4659	4659	4659	4659
L (mm)	8538	8538	8538	8538	8538	8538	8538
W (mm)	3010	3010	3010	3010	3010	3010	3010
H (mm)	1490	1490	1490	1490	1490	1490	1490
Working area (mm)	2060x3080						
Max. material thickness (mm)	50						
Max. payload (Kg/mq)	40						
Z-axis stroke	0-70						
Accuracy (mm/m)	< 0,1						
Repeatability (mm)	0,01						

L1 refers to fixed work table configuration - L refers to dual tables configuration